

# CATALOGO SELLOS MECÁNICOS



**SEALS GROUP INTERNATIONAL**

Acceso Sur 1981 - Lateral Oeste - Godoy Cruz - Mendoza - Argentina

Tel/Fax: 0261 4395865

[www.sudamericanadesellos.com.ar](http://www.sudamericanadesellos.com.ar)

## SELLO MECÁNICO DE FUELLE ELASTOMÉRICO MONO RESORTE

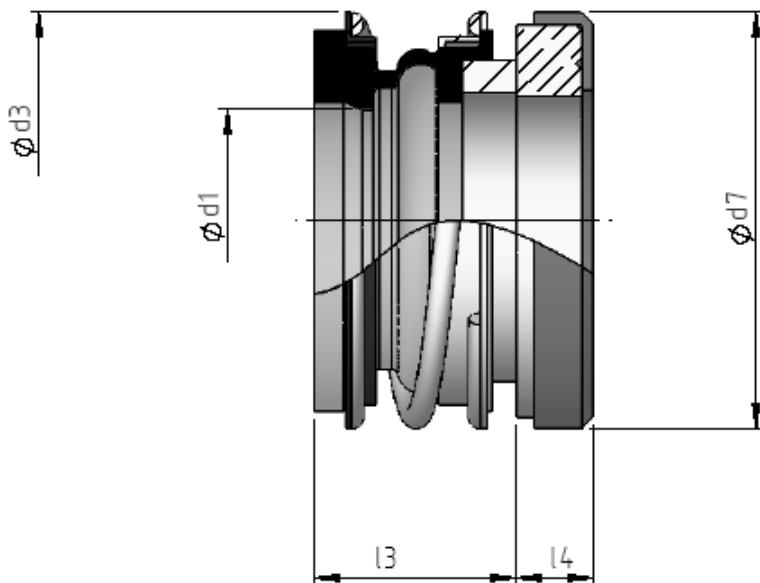


### CONDICIONES OPERATIVAS:

- TEMPERATURA -20° a 150° C
- PRESION 0 a 12 bar
- VELOCIDAD TANGENCIAL 10m/seg
- PESO ESPECIFICO >0.6
- DIAMETRO EJE 10 a 100mm

### NORMAS:

DIN 24960



Ø EJE	d1 - 0.02	d3 ± 0.5	d7 ± 0.5	l3 ± 0.5	l4 ± 0.5	*
010	10.00	22.5	21.00	14.5	6.5	
012	12.00	25.0	23.00	15.0	6.5	
014	14.00	28.5	25.00	17.0	6.5	
015	15.00	28.5	27.00	17.0	6.5	
016	16.00	28.5	27.00	17.0	6.5	
018	18.00	32.00	33.00	19.5	7.5	
020	20.00	37.0	35.00	21.5	7.5	
022	22.00	37.0	37.00	21.5	7.5	
024	24.00	42.5	39.00	22.5	7.5	
025	25.00	42.5	40.00	23.0	7.5	
028	28.00	49.0	43.00	26.5	7.5	
030	30.00	49.0	45.00	26.5	7.5	
032	32.00	53.5	48.00	27.5	7.5	
033	33.00	53.5	48.00	27.5	7.5	
035	35.00	57.0	50.00	28.5	7.5	
038	38.00	59.0	56.00	30.0	9.0	
040	40.00	62.0	58.00	30.0	9.0	
042	42.00	65.5	61.00	30.0	9.0	
043	43.00	65.5	61.00	30.0	9.0	
045	45.00	68.0	63.00	30.5	9.0	
048	48.00	70.5	66.00	30.5	9.0	
050	50.00	74.0	70.00	30.5	9.5	
053	53.00	78.5	73.00	37.0	11.0	
055	55.00	81.0	75.00	38.0	11.0	
058	58.00	85.5	78.00	40.0	11.0	
060	60.00	88.5	80.00	40.0	11.0	
065	65.00	93.5	85.00	40.0	11.0	
068	68.00	96.5	90.00	40.0	11.0	
070	70.00	99.5	92.00	40.0	11.0	
075	75.00	107.0	97.00	40.0	11.0	
080	80.00	112.0	105.00	40.0	12.0	*
085	85.00	120.0	110.00	41.0	14.0	*
090	90.00	127.0	115.00	45.0	14.0	*
095	95.00	132.0	120.00	46.0	14.0	*
100	100.00	132.0	125.00	47.0	14.0	*

\* CONSULTAR STOCK

### METALURGIA:

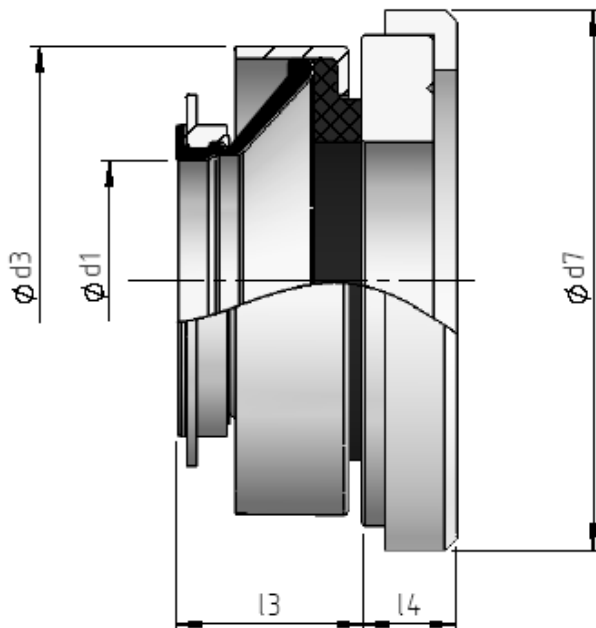
- CERAMICA-CARBÓN-NITRILO
- SILICIO-SILICIO-VITÓN

## SELLO MECÁNICO DE FUELLE ELASTOMÉRICO MONO RESORTE CORTO



### CONDICIONES OPERATIVAS:

- TEMPERATURA -20° a 150° C
- PRESION 0 a 12 bar
- VELOCIDAD TANGENCIAL 10m/seg
- PESO ESPECIFICO >0.6
- DIAMETRO EJE 6 a 70mm



Ø EJE	d1 - 0.02	d3 ± 0.5	d7 ± 0.05	l3 ± 0.5	l4 ± 0.5	*
06	6.00	18.0	22.00	8.0	4.0	*
08	8.00	20.0	26.00	11.0	4.0	*
09	9.00	24.0	26.00	11.0	8.0	*
010	10.00	24.0	26.00	11.0	8.0	
011	11.00	24.0	26.00	11.0	8.0	
012	12.00	24.0	26.00	11.0	8.0	
013	13.00	24.0	26.00	13.0	8.0	
014	14.00	32.0	29.50	13.0	8.0	
015	15.00	32.0	29.50	13.0	8.0	
016	16.00	32.0	29.50	13.0	8.0	
017	17.00	39.0	42.00	13.0	8.0	*
018	18.00	39.0	42.00	13.0	8.0	
019	19.00	39.0	42.00	13.0	8.0	*
020	20.00	39.0	42.00	13.0	8.0	
022	22.00	42.0	45.00	13.0	10.0	
023	23.00	47.0	50.00	14.0	10.0	*
024	24.00	47.0	50.00	14.0	10.0	
025	25.00	47.0	50.00	14.0	10.0	*
026	26.00	47.0	50.00	14.0	10.0	*
028	28.00	54.0	57.00	15.0	10.0	
030	30.00	54.0	57.00	15.0	10.0	
032	32.00	54.0	57.00	15.0	10.0	*
035	35.00	60.0	63.00	16.0	10.0	
038	38.00	65.0	68.00	18.0	12.0	
040	40.00	65.0	68.00	18.0	12.0	
045	45.00	70.0	73.00	20.0	12.0	*
050	50.00	85.0	88.00	23.0	15.0	*
055	55.00	85.0	88.00	23.0	15.0	*
060	60.00	105.0	110.00	30.0	15.0	*
070	70.00	105.0	110.00	32.0	15.0	*

\* CONSULTAR STOCK

### METALURGIA:

- CERAMICA-CARBÓN-NITRILLO
- SILICIO-SILICIO-VITÓN

## SELLO MECÁNICO MONO RESORTE CÓNICO

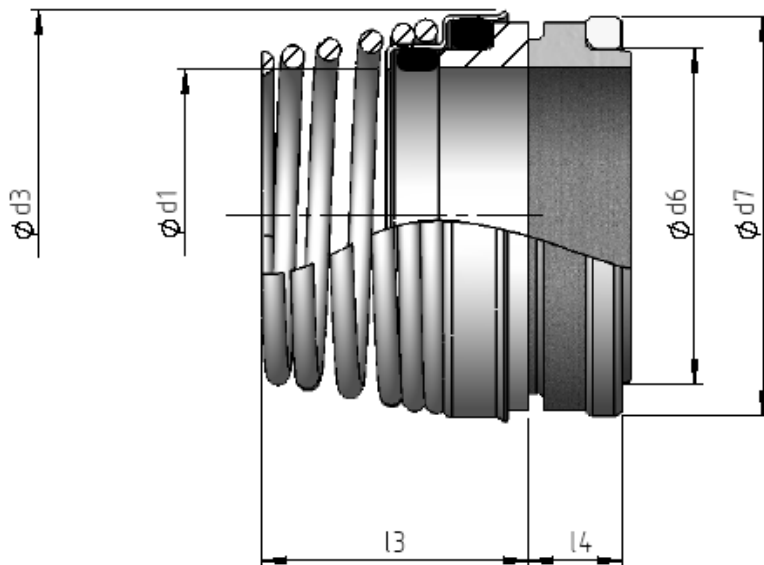


Ø EJE	d1 - 0.02	d3 ± 0.5	d7 + 0.05	l3 ± 0.5	l4 ± 0.5	*
010	10.00	20.0	18.10	15.0	5.5	*
011	11.00	22.0	20.60	18.0	5.5	*
012	12.00	22.0	20.60	18.0	5.5	
013	13.00	25.0	23.10	22.0	6.0	
014	14.00	25.0	23.10	22.0	6.0	
015	15.00	29.0	26.90	22.0	7.0	
016	16.00	29.0	26.90	23.0	7.0	
017	17.00	29.0	26.90	23.0	7.0	
018	18.00	33.0	30.90	24.0	8.0	
019	19.00	33.0	30.90	25.0	8.0	
020	20.00	33.0	30.90	25.0	8.0	
022	22.00	38.0	35.40	25.0	8.0	
024	24.00	38.0	35.40	27.0	8.0	
025	25.00	40.0	38.20	27.0	8.5	
028	28.00	46.0	43.30	29.0	9.0	
030	30.00	46.0	43.30	30.0	9.0	
032	32.00	46.0	43.30	30.0	9.0	
035	35.00	50.0	53.50	39.0	11.5	
038	38.00	55.0	60.50	39.0	11.5	
040	40.00	55.0	60.50	39.0	11.5	

### CONDICIONES OPERATIVAS:

- TEMPERATURA -20° a 150° C
- PRESION 0 a 10 bar
- VELOCIDAD TANGENCIAL 20m/seg
- PESO ESPECIFICO >0.6
- DIAMETRO EJE 10 a 40mm

\* CONSULTAR STOCK



### METALURGIA:

- CERAMICA-CARBÓN-NITRILO
- SILICIO-SILICIO-VITÓN

## SELLO MECÁNICO MONO RESORTE RECTO EN MILIMETROS



### CONDICIONES OPERATIVAS:

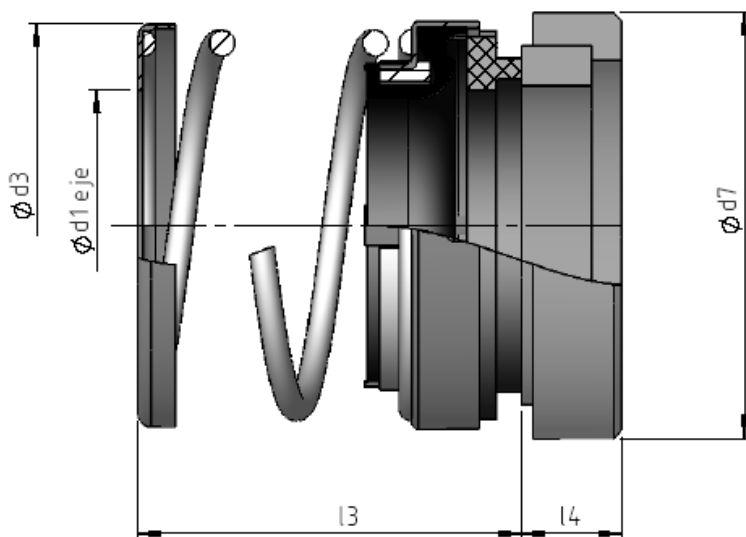
- TEMPERATURA -40° a 205° C
- PRESION 10 bar
- VELOCIDAD TANGENCIAL 15m/seg
- PESO ESPECIFICO >0.6
- DIAMETRO EJE 12 a 85mm

### NORMAS

DIN 24960

Ø EJE	d1 - 0.02	d3 ± 0.5	d7 + 0.05	l3 ± 0.5	l4 ± 0.3	*
012	12.00	21.7	23.00	23.9	8.5	*
014	14.00	23.9	25.00	26.4	8.5	
016	16.00	26.7	27.00	26.4	8.5	
018	18.00	30.4	33.00	27.5	10.0	
020	20.00	33.4	35.00	27.5	10.0	
022	22.00	33.4	37.00	27.5	10.0	
024	24.00	38.0	39.00	30.0	10.0	
025	25.00	39.3	40.00	30.0	10.0	
028	28.00	42.0	43.00	32.5	10.0	
030	30.00	44.0	45.00	32.5	10.0	
032	32.00	45.8	48.00	32.5	10.0	
033	33.00	45.8	48.00	32.5	10.0	
035	35.00	49.0	50.00	34.0	11.0	
038	38.00	52.8	56.00	34.0	11.0	
040	40.00	55.8	58.00	34.0	11.0	
043	43.00	58.8	61.00	34.0	11.0	
045	45.00	61.0	63.00	34.0	11.0	
048	48.00	64.0	66.00	34.0	11.0	
050	50.00	66.0	70.00	34.5	13.0	
055	55.00	71.7	75.00	34.5	13.0	*
058	58.00	78.4	78.00	39.5	13.0	*
060	60.00	78.4	80.00	39.5	13.0	*
063	63.00	81.5	83.00	39.5	13.0	*
065	65.00	84.3	85.00	39.5	13.0	*
068	68.00	89.7	90.00	37.2	15.0	*
070	70.00	89.7	92.00	37.2	15.0	*
075	75.00	96.8	97.00	44.7	15.0	*
080	80.00	104.0	105.00	44.3	15.5	*
085	85.00	109.0	110.00	44.3	15.5	*

\* CONSULTAR STOCK



### METALURGIA:

- CERAMICA-CARBÓN-NITRILO
- SILICIO-SILICIO-VITÓN

### SEALS GROUP INTERNATIONAL

Acceso Sur 1981 - Lateral Oeste - Godoy Cruz - Mendoza - Argentina

Tel/Fax: 0261 4395865

www.sudamericanadesellos.com.ar

## SELLO MECÁNICO MONO RESORTE RECTO EN PULGADAS



DASH N°	Ø EJE	d1 - 0.02	d3 ± 0.02	d3 ± 0.5	d7 ± 0.02	d7 ± 0.05	l3 ± 0.02	l3 ± 0.5	l4 ± 0.02	l4 ± 0.5	*
6	0.375	9.53	0.812	20.62	0.875	22.23	0.812	20.62	0.344	8.7	*
8	0.500	12.70	0.937	23.80	1.000	25.40	0.812	20.62	0.344	8.7	*
10	0.625	15.88	1.062	26.97	1.250	31.75	0.875	22.23	0.406	10.3	*
12	0.750	19.05	1.187	30.15	1.375	34.93	0.875	22.23	0.406	10.3	
14	0.875	22.23	1.321	33.32	1.500	38.10	0.937	23.80	0.406	10.3	
16	1.000	25.40	1.687	42.85	1.750	41.28	1.000	25.40	0.406	10.3	
18	1.125	28.58	1.812	46.02	1.750	44.45	1.062	26.97	0.469	11.9	
20	1.250	31.75	1.937	49.20	1.875	47.63	1.062	26.97	0.469	11.9	
22	1.375	34.93	2.062	52.37	2.000	50.80	1.125	28.58	0.469	11.9	
24	1.500	38.10	2.187	55.55	2.125	53.98	1.125	28.58	0.469	11.9	
26	1.625	41.28	2.500	63.50	2.375	60.33	1.375	34.93	0.469	11.9	
28	1.750	44.45	2.625	66.68	2.500	63.50	1.375	34.93	0.469	11.9	
30	1.875	47.63	2.750	69.85	2.750	69.85	1.500	38.10	0.469	11.9	
32	2.000	50.80	2.875	73.03	2.875	73.03	1.500	38.10	0.531	13.5	
34	2.125	53.98	3.000	76.20	3.000	76.20	1.687	42.85	0.531	13.5	
36	2.250	57.15	3.125	79.38	3.125	79.38	1.687	42.85	0.531	13.5	
38	2.375	60.33	3.250	82.55	3.250	82.55	1.812	46.02	0.531	13.5	
40	2.500	63.50	3.343	84.91	3.375	85.73	1.812	46.02	0.531	13.5	
42	2.625	66.68	3.500	88.90	3.375	85.73	1.937	49.20	0.625	15.9	
44	2.750	69.85	3.750	95.25	3.500	88.90	1.937	49.20	0.625	15.9	*
46	2.875	73.03	3.875	98.43	3.750	95.25	2.062	52.37	0.625	15.9	
48	3.000	76.20	4.000	101.60	3.875	98.43	2.062	52.37	0.625	15.9	

### CONDICIONES OPERATIVAS:

- TEMPERATURA -40° a 205° C
- PRESION 10 bar
- VELOCIDAD TANGENCIAL 15m/seg
- PESO ESPECIFICO >0.6
- DIAMETRO EJE 12 a 85mm

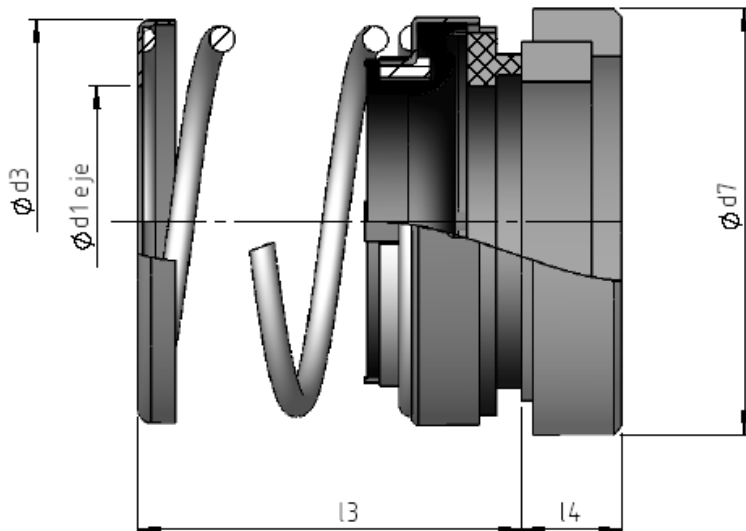
### NORMAS

DIN 24960

\* CONSULTAR STOCK

### METALURGIA:

- CERAMICA-CARBÓN-NITRIL
- SILICIO-SILICIO-VITÓN



**SEALS GROUP INTERNATIONAL**

Acceso Sur 1981 - Lateral Oeste - Godoy Cruz - Mendoza - Argentina

Tel/Fax: 0261 4395865

www.sudamericanadesellos.com.ar